

2 PART NUTRIENT MIX 60 GALLON TANK

WATER DRIVEN INJECTION PARAMETERS

The following instructions are for using Ambrosia Cropz Nutrients in a water driven injection system at an injection rate of 1:125 or 0.80%. (This will create a working solution value of 3.0 EC or 1500ppm). If you wish to adjust your EC up or down, do so by adjusting the injection rate on the water driven injectors. Remember to always adjust both injectors equally up or down to maintain proper elemental balance.

** (For use with water driven injectors with an injection range between 0.20%-2.00% or 7.5-75 ml/gal.)*

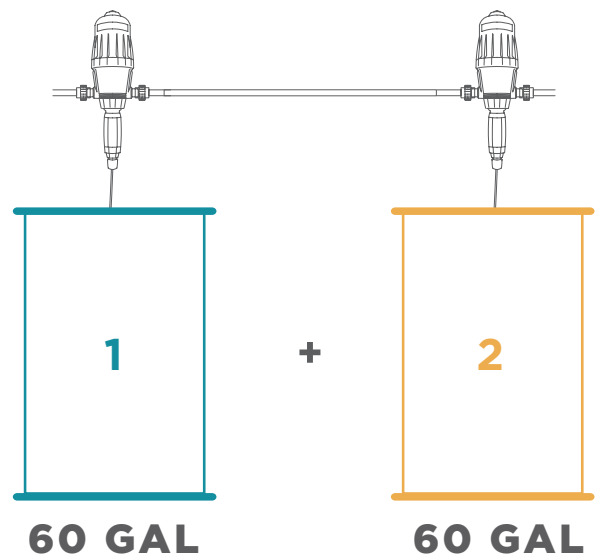
VEGETATIVE GROWTH:

Stock Tank 1:

54 Gallons of H₂O
+ 3 x 25 LB bags of Ambrosia Cal

Stock Tank 2:

54 Gallons of H₂O
+ 2 x 20 LB bags of Ambrosia Mag
+ 3 x 25 LB bags of Ambrosia Veg



FLOWERING GROWTH:

Stock Tank 1:

54 Gallons of H₂O
+ 3 x 25 LB bags of Ambrosia Cal

Stock Tank 2:

54 Gallons of H₂O
+ 3 x 20 LB bags of Ambrosia Mag
+ 3 x 25 LB bags of Ambrosia Flower

