

2 PART NUTRIENT MIX 20 GALLON TANK

WATER DRIVEN INJECTION PARAMETERS

The following instructions are for using Ambrosia Cropz Nutrients in a water driven injection system at an injection rate of 1:125 or 0.80%. (This will create a working solution value of 3.0 EC or 1500ppm). If you wish to adjust your EC up or down, do so by adjusting the injection rate on the water driven injectors. Remember to always adjust both injectors equally up or down to maintain proper elemental balance.

** (For use with water driven injectors with an injection range between 0.20%-2.00% or 7.5-75 ml/gal.)*

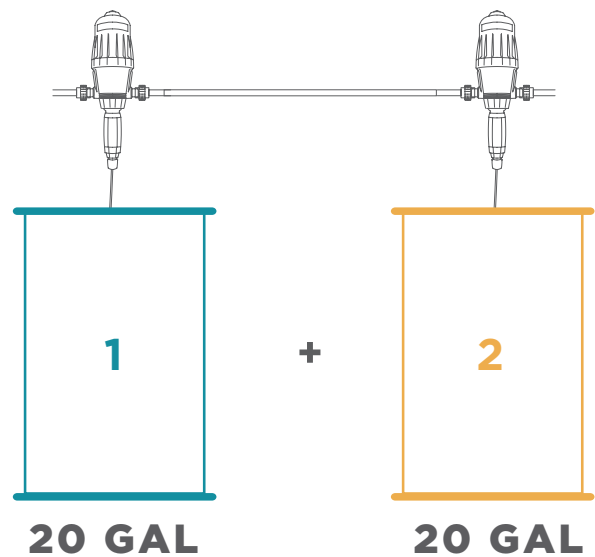
VEGETATIVE GROWTH:

Stock Tank 1:

18 Gallons of H₂O
+ One 25 LB bag of Ambrosia Cal

Stock Tank 2:

18 Gallons of H₂O
+ 12.5 LBS of Ambrosia Mag
+ One 25 LB bag of Ambrosia Veg



FLOWERING GROWTH:

Stock Tank 1:

18 Gallons of H₂O
+ One 25 LB bag of Ambrosia Cal

Stock Tank 2:

18 Gallons of H₂O
+ One 20 LB bag of Ambrosia Mag
+ One 25 LB bag of Ambrosia Flower

