

The following instructions are for using Ambrosia Cropz Nutrients in a water driven injection system at an injection rate of 1:125 or 0.80%. (This will achieve near a 3.0 EC or 1500ppm. If you wish to adjust your EC up or down, do so by adjusting the injection rate on the water driven injectors. Remember to keep adjusting all three injectors equally up or down to maintain proper elemental balance.)

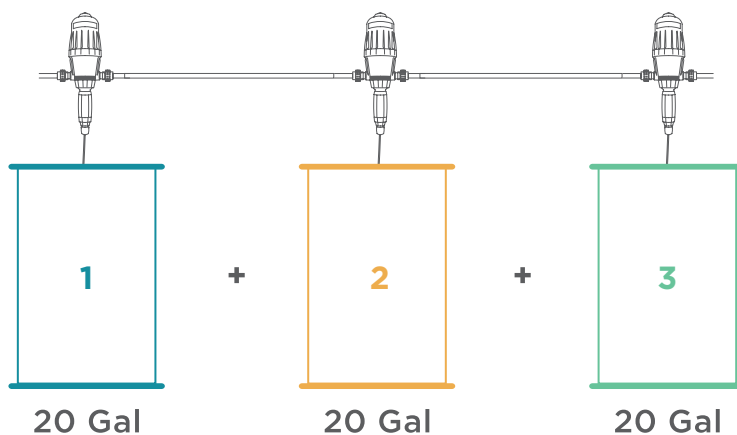
\* (For use with water driven injectors with an injection range between 0.20%-2.00%)

#### VEGETATIVE GROWTH:

**Stock Tank 1:** 16 Gallons of H<sub>2</sub>O + One 25 LB bag of Ambrosia Cal

**Stock Tank 2:** 17.5 Gallons of H<sub>2</sub>O + 12.5 LBS Ambrosia Mag

**Stock Tank 3:** 16 Gallons of H<sub>2</sub>O + One 25 LB bag of Ambrosia Veg



#### FLOWERING GROWTH:

**Stock Tank 1:** 16 Gallons of H<sub>2</sub>O + One 25 LB bag of Ambrosia Cal

**Stock Tank 2:** 16.5 Gallons of H<sub>2</sub>O + One 20 LB bag of Ambrosia Mag

**Stock Tank 3:** 16 Gallons of H<sub>2</sub>O + One 25 LB bag of Ambrosia Flower

